



Introduction

Built entirely with recycled materials, including plastic bottles, beer cans, and oil barrels, Ecoboat 2.0 provides a new, eco-friendly perspective on leisure. Combining a functional design with environmental and economical sustainability, the project understands the importance of discarded materials and their potential to become valuable objects through Upcycling and creative reuse. This user guide describes clearly the building process and materials used, so that the model can be replicated worldwide in a joint effort to reuse and add value to residues.

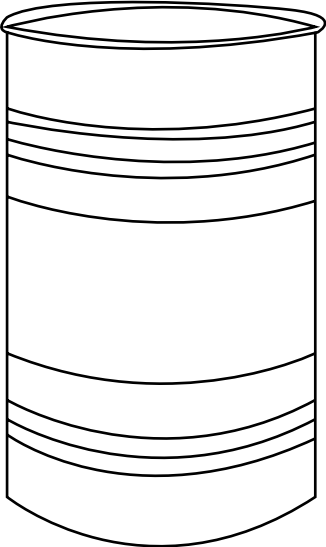
Ecoboat 2.0 combines the ecological canoes set forth by Madiba & Nature, built entirely with plastic bottles, with the precise building techniques of artist Carlos Corpa, resulting in an upgraded, sturdy new version. Designer Juliana Fagua and architect Lucas Alcaide round up the team as main collaborators, providing an aesthetic and technical perspective.

The project was born in the context of the Interactivos '18 workshop in Medialab Prado, Madrid, evolving among other seven projects that change the way we currently look at waste through creative and radical proposals. It sailed for the first time on May 22, 2018 in the Retiro Park Lake as a symbol for a new era of recycling, and an invitation to enjoy a healthier, environmentally friendly tourism and leisure time.

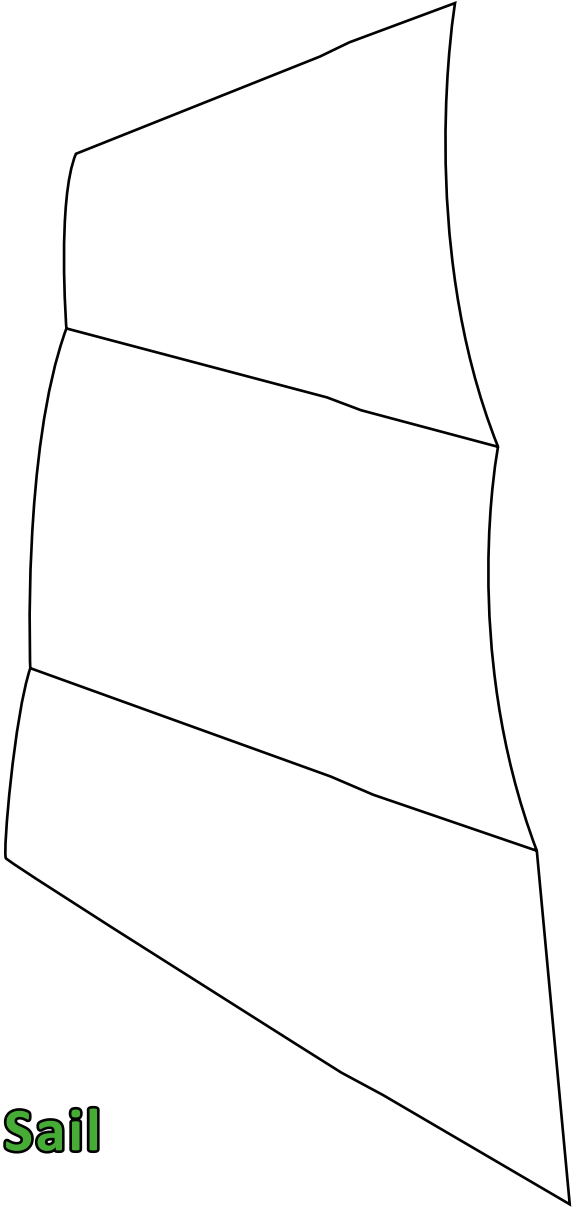
The following manual points out the basic steps and materials you will need to built your own ecoboat. This guideline however is not the only way to approach the construction. You can modify materials and steps as needed depending on the resources you have available. We invite you to be creative and take advantage of the discarded materials present in your community.

Finally, if you decide to built your own version of the ecoboat by following this guide, please let us know at ecoboat2.0@gmail.com and send us pictures so that we can map the expansion of this eco-friendly wave.

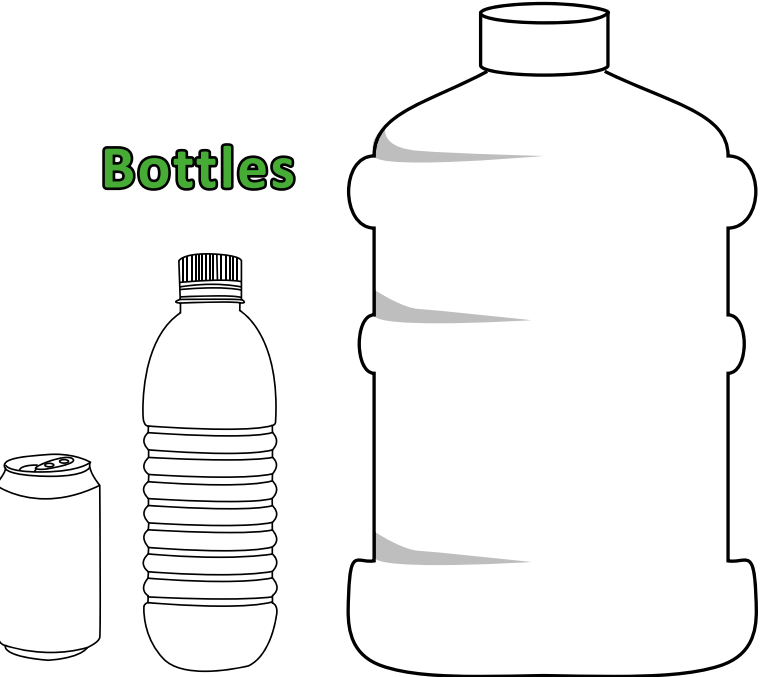
Materials
All must be recycled or recyclable!



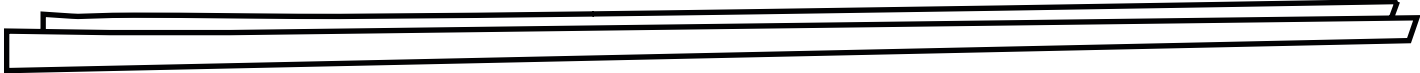
Barrels



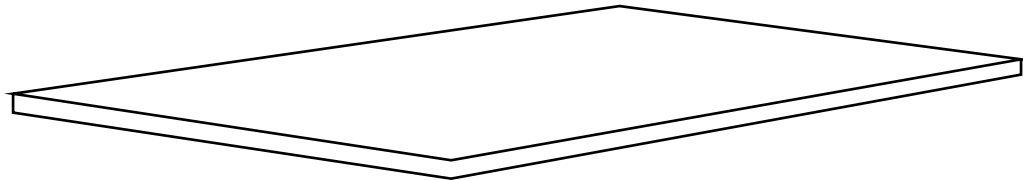
Sail



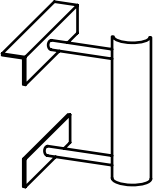
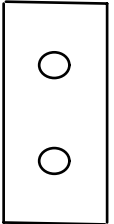
Bottles



Keel



Planks of wood

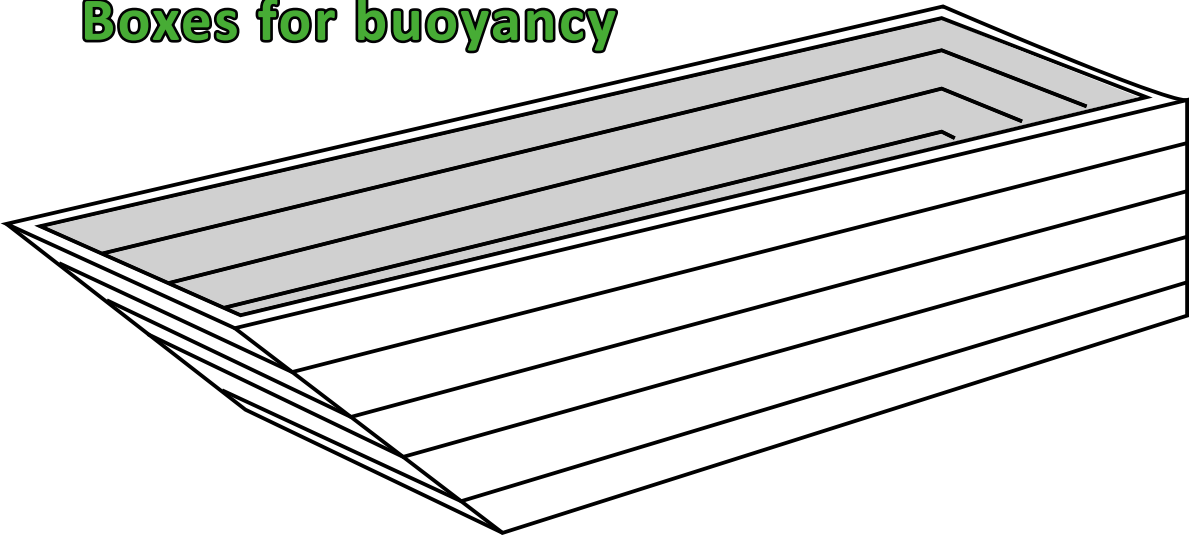


Hinges

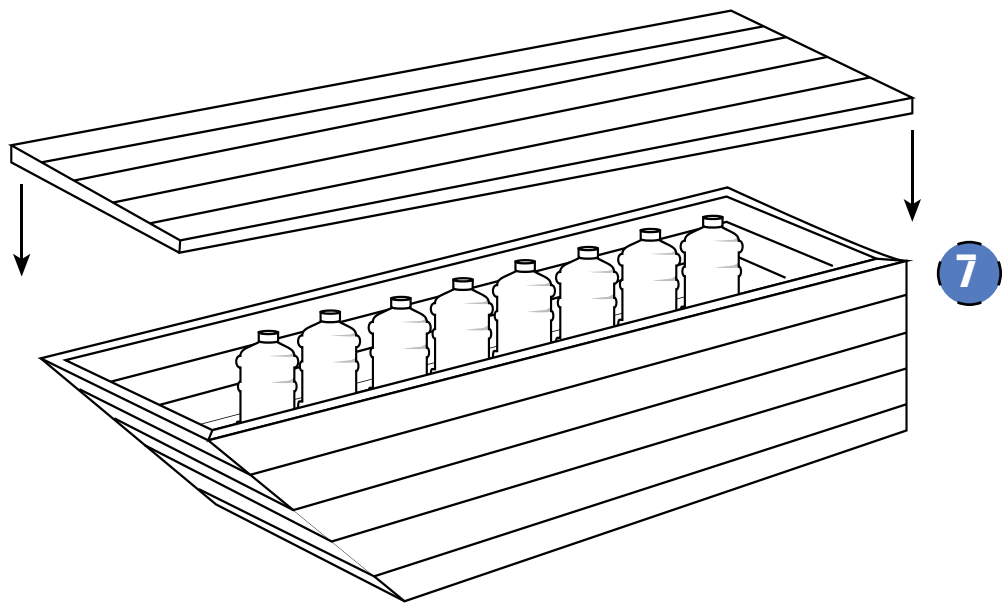
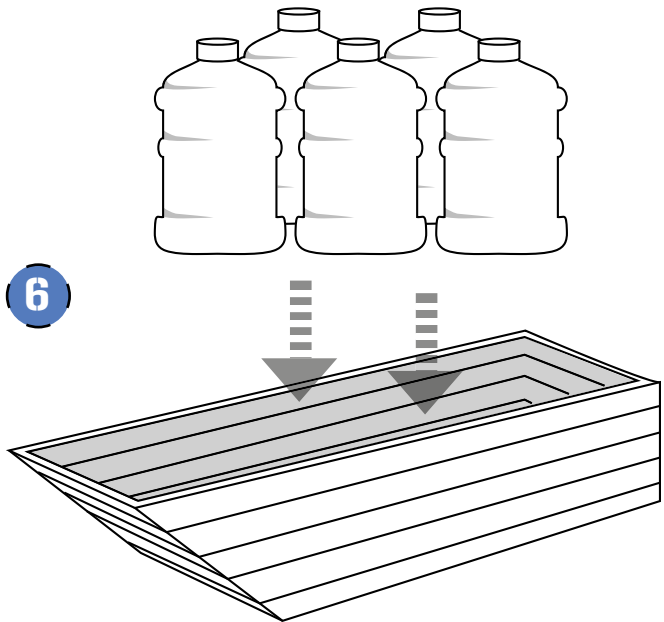
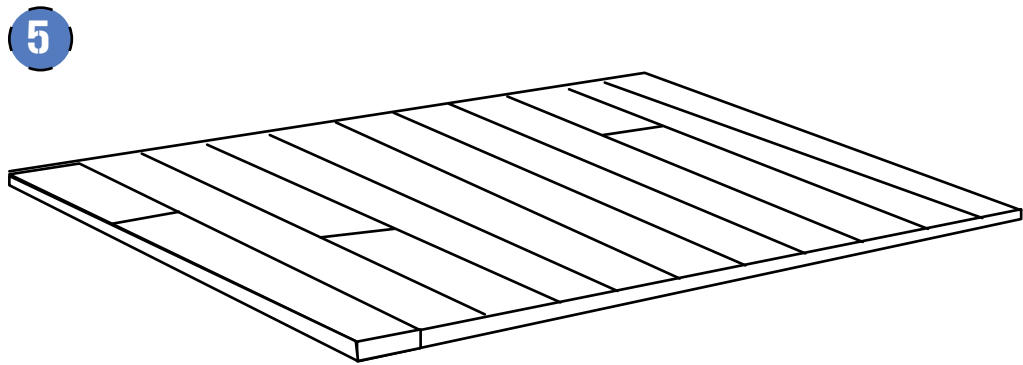
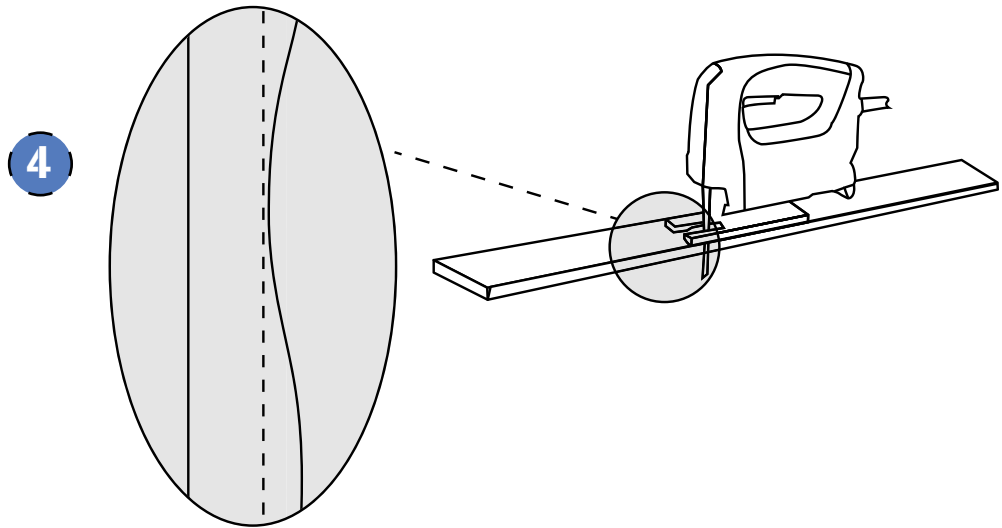
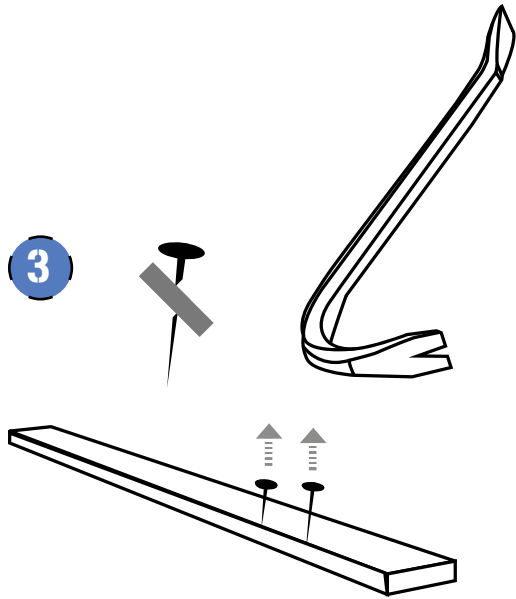
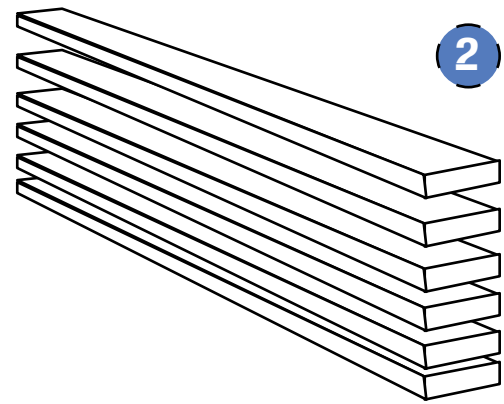
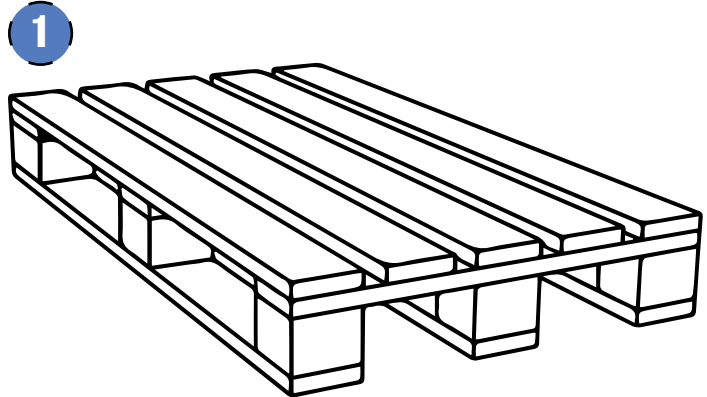


Mast

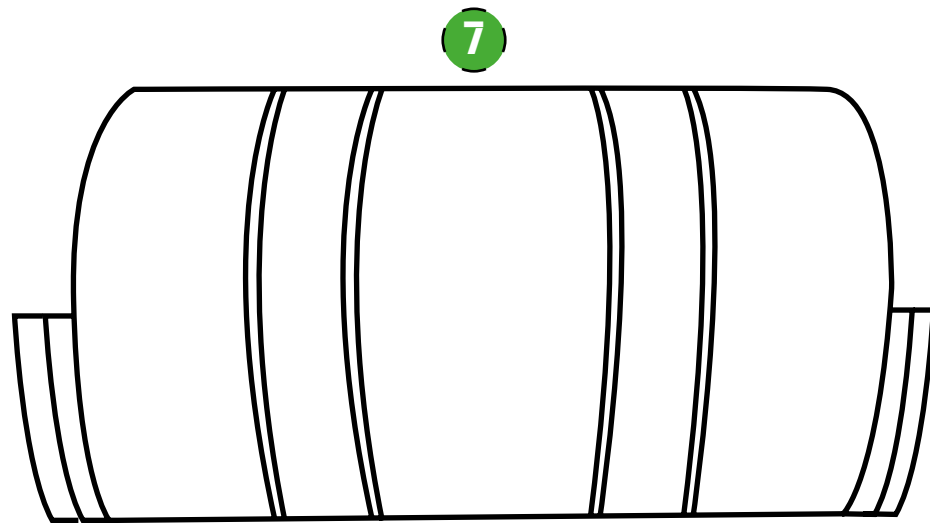
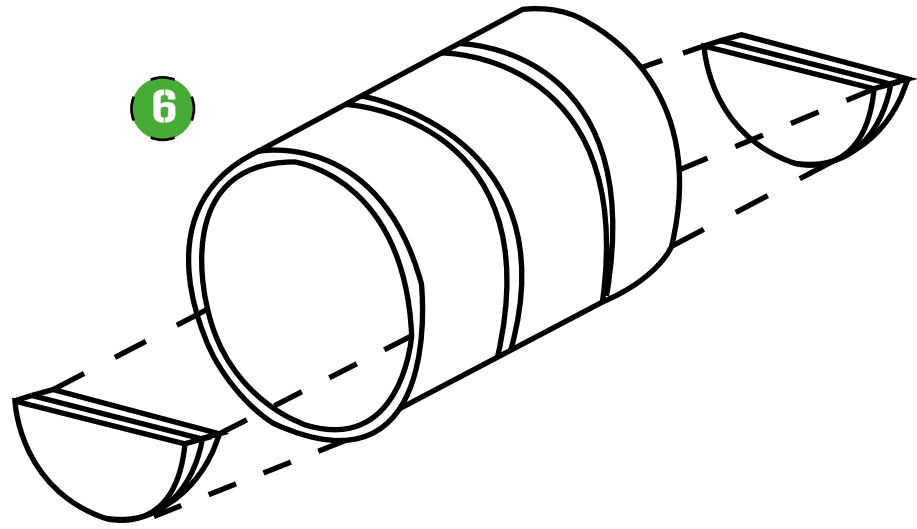
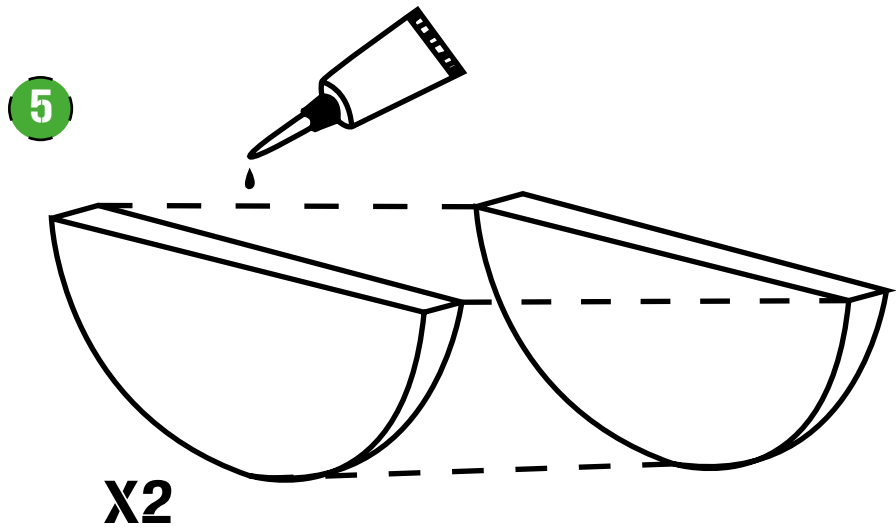
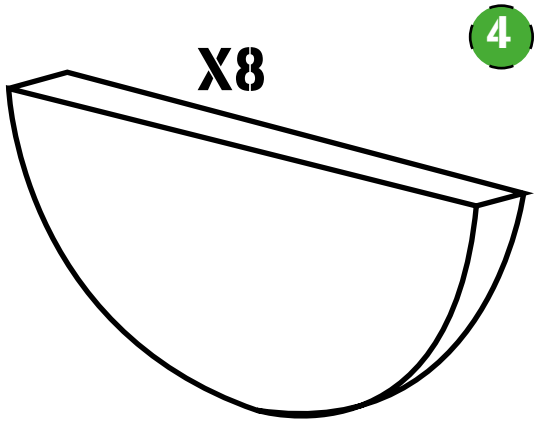
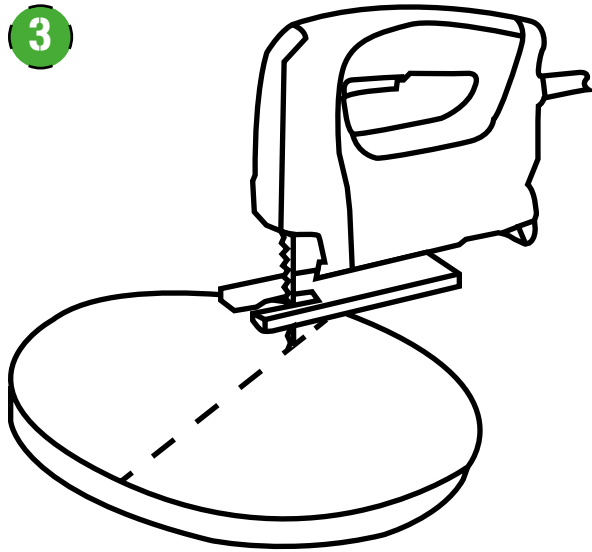
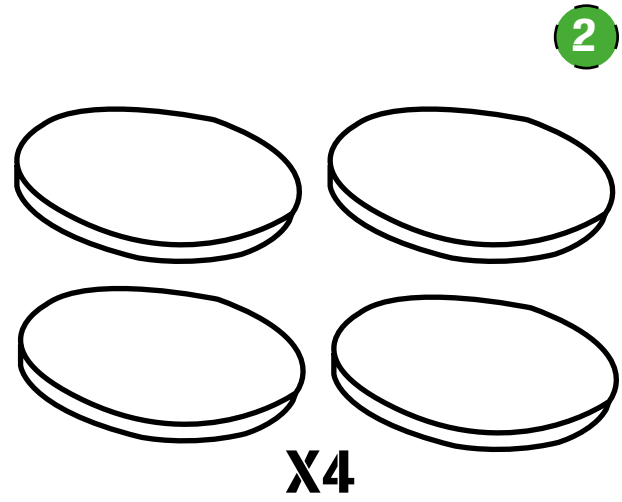
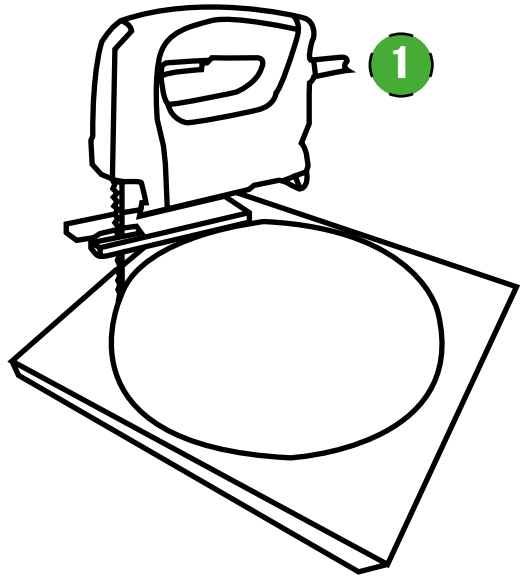
Boxes for buoyancy



Construction of the boxes

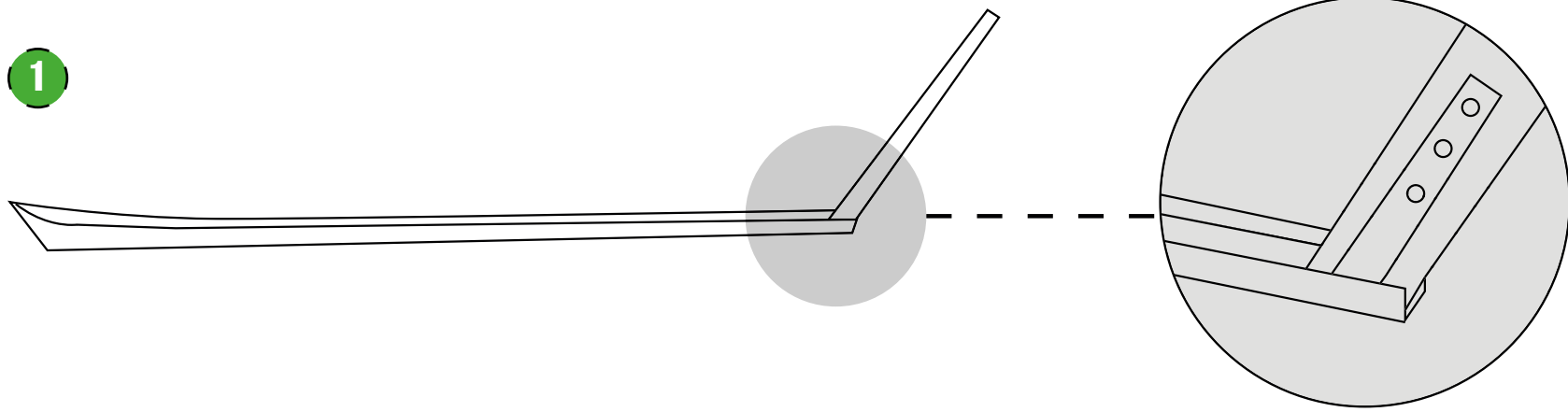


Preparing the barrels

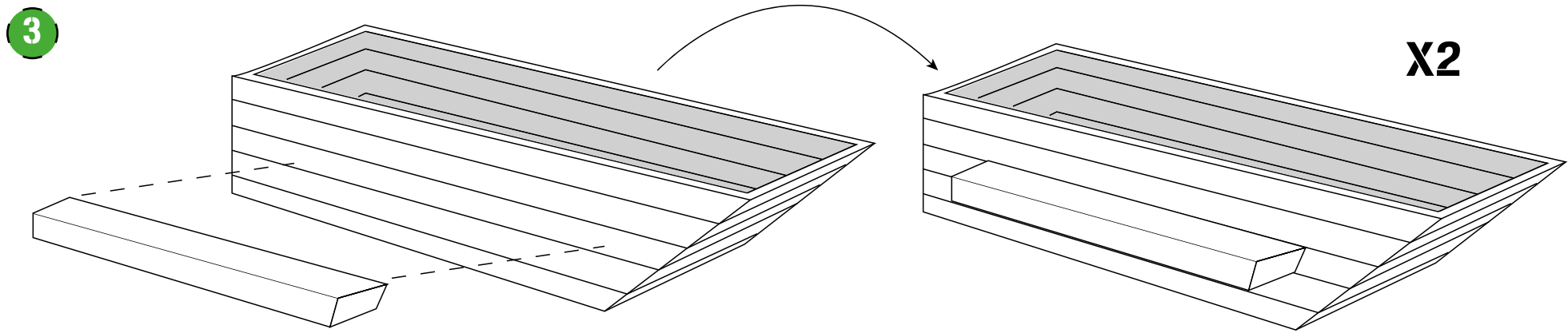


Building the boat

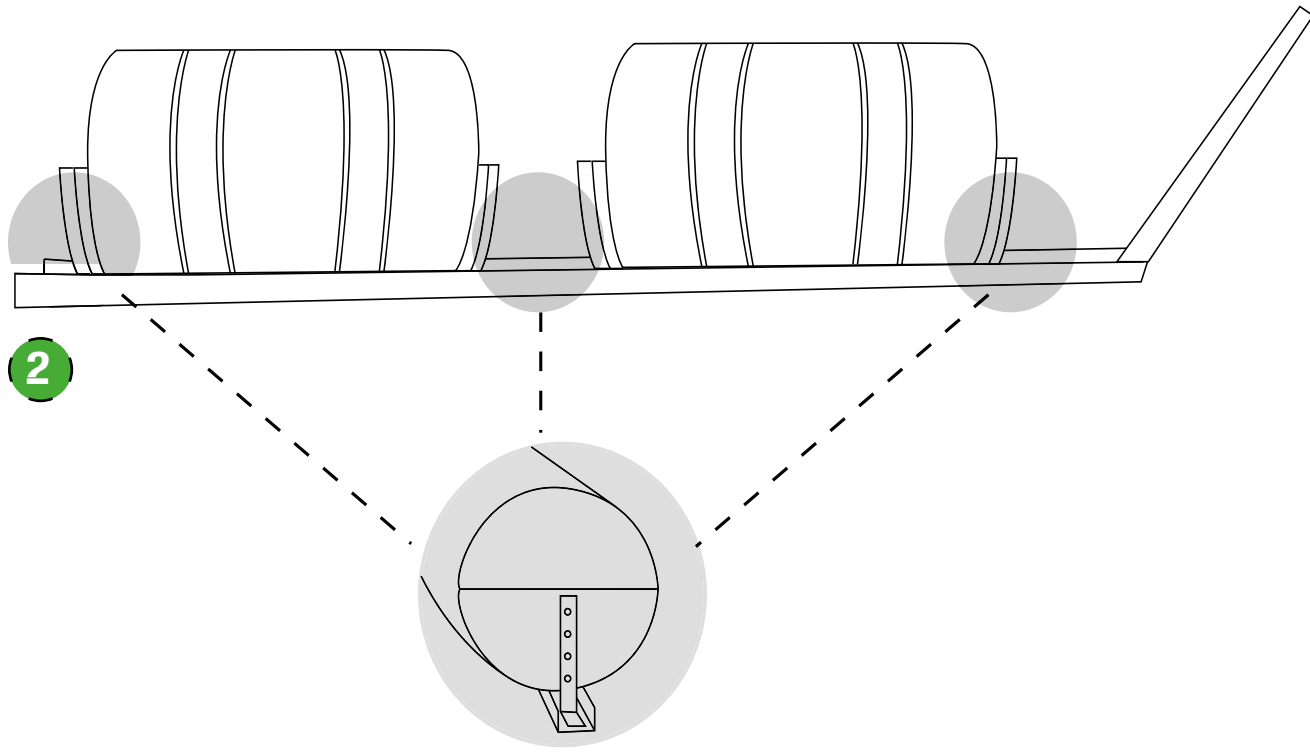
1



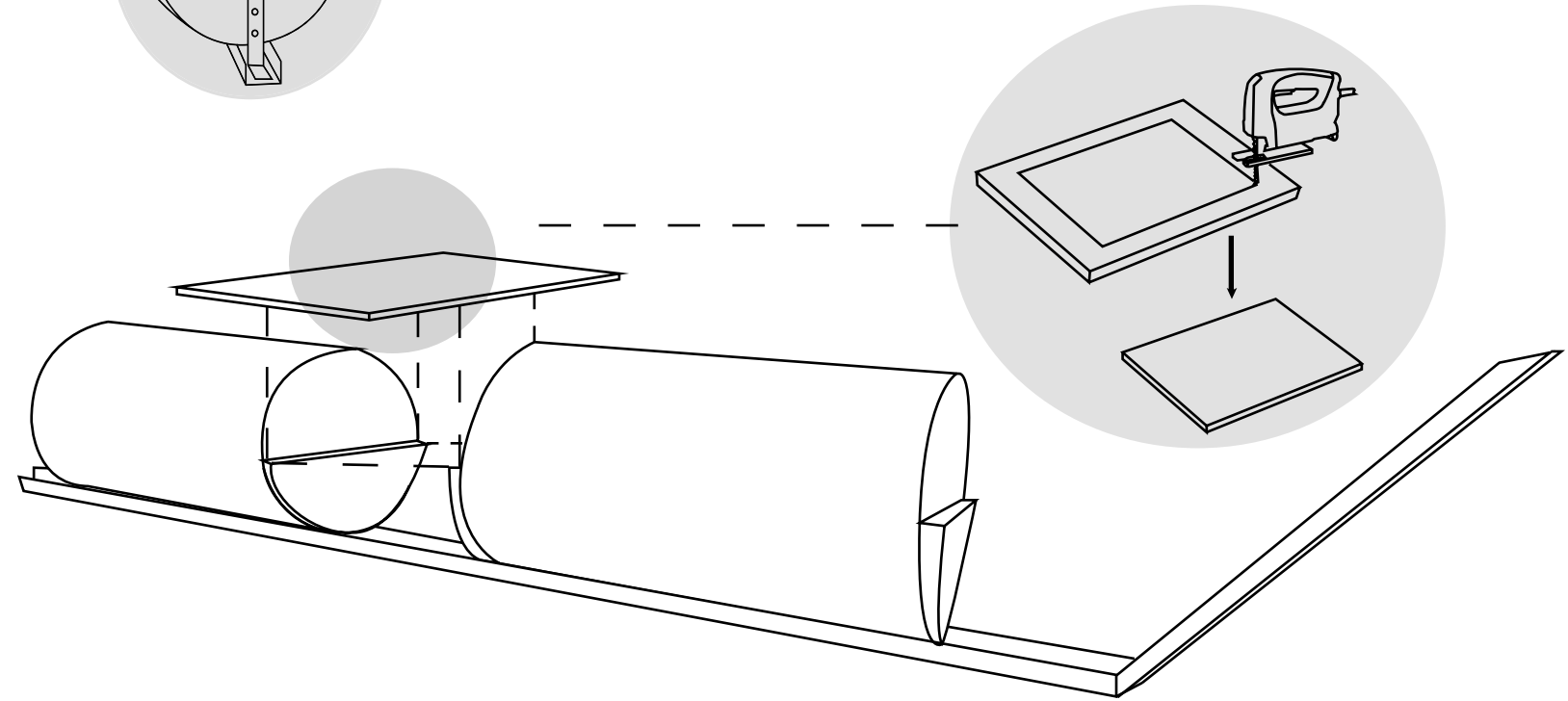
3

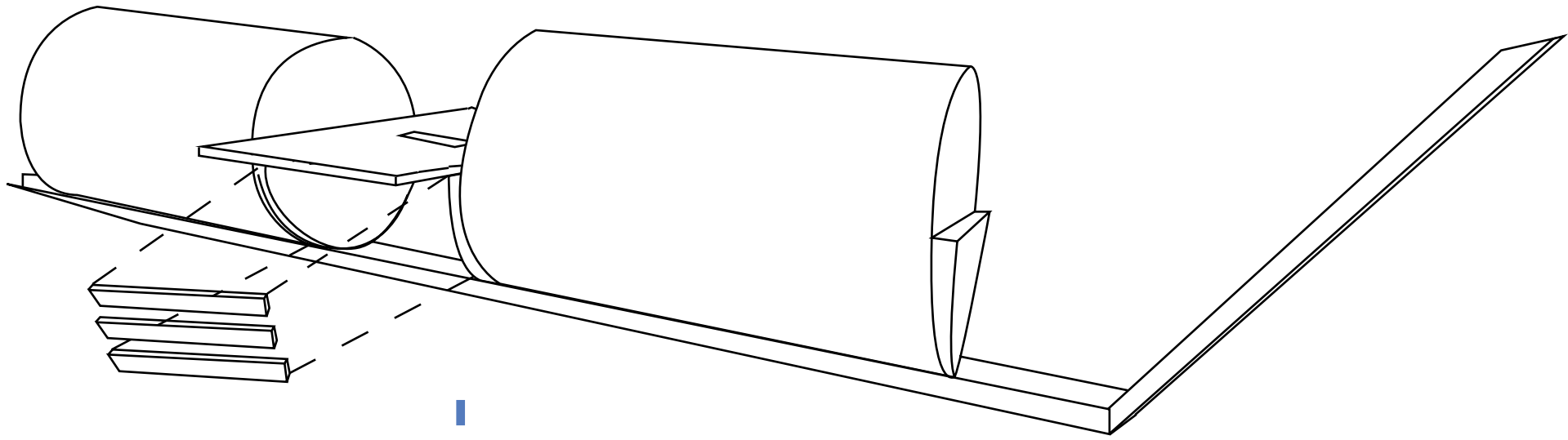


2

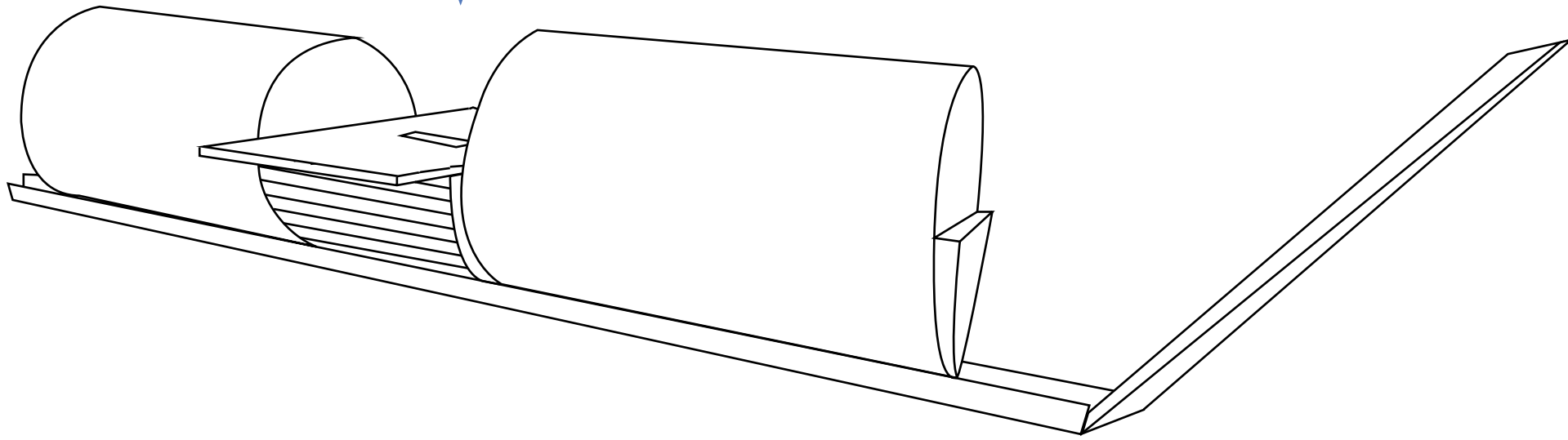


4

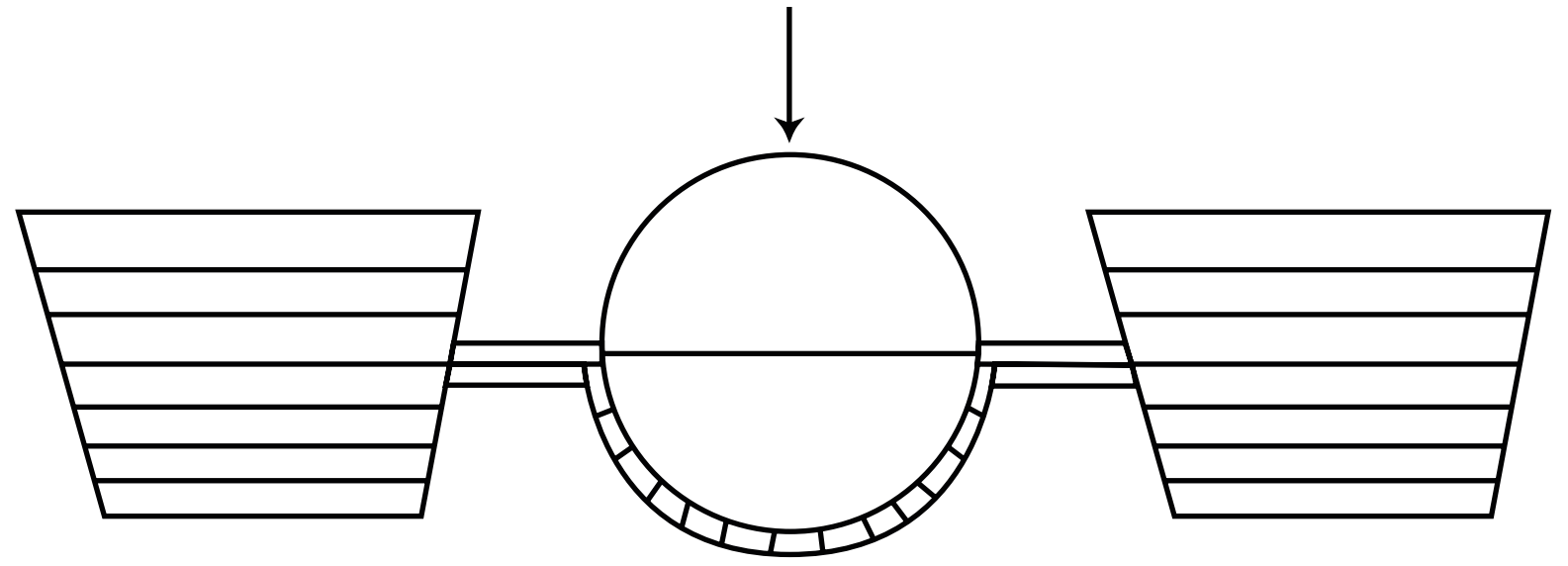
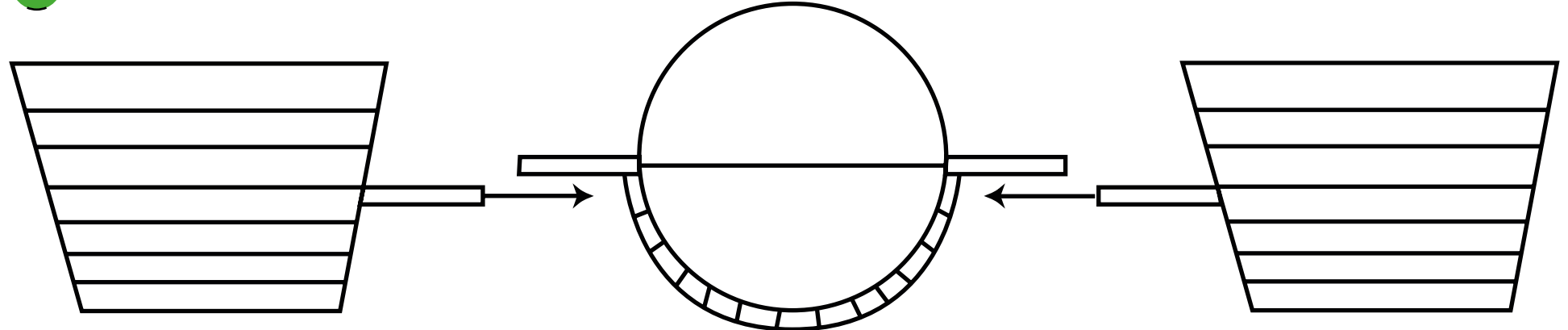




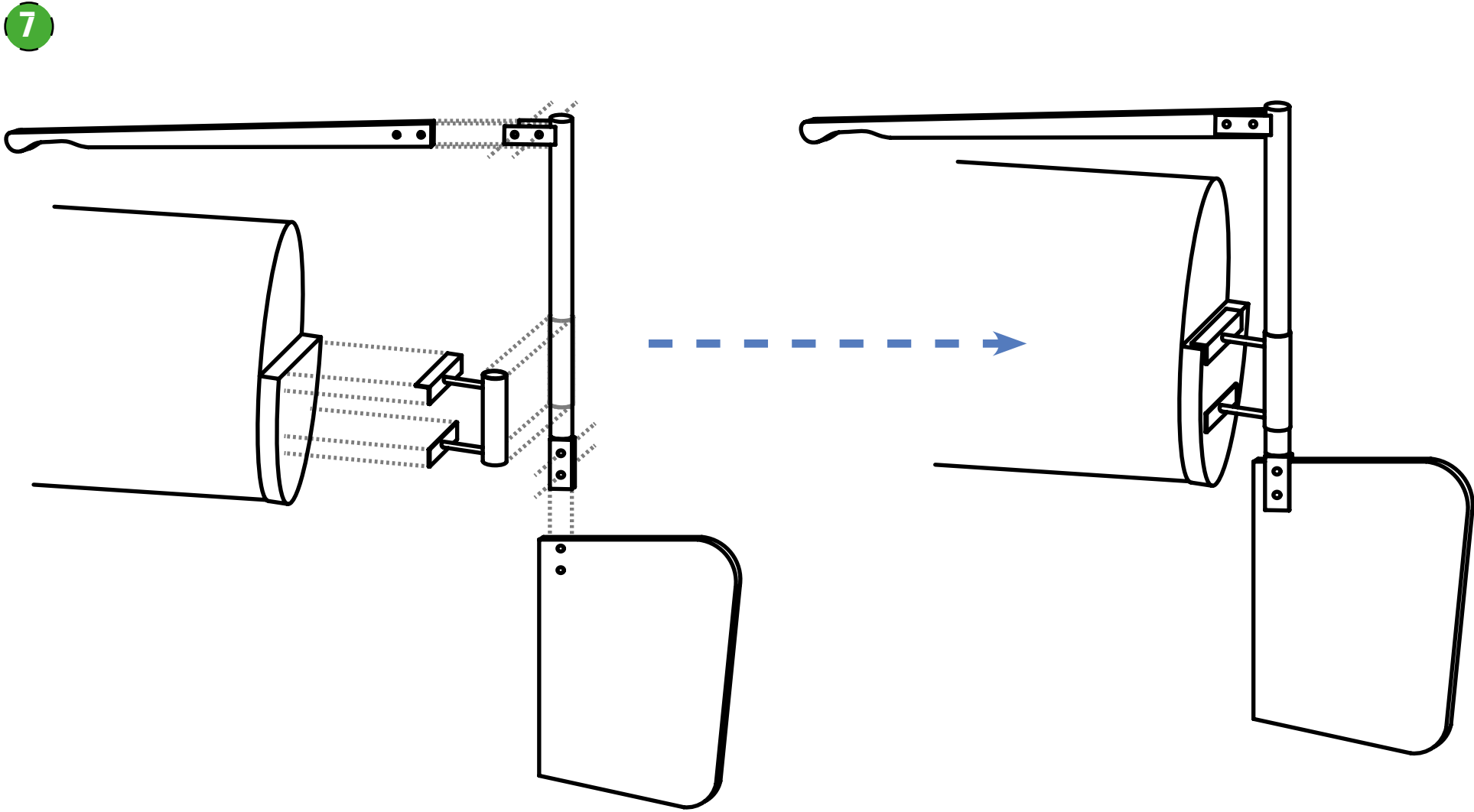
5



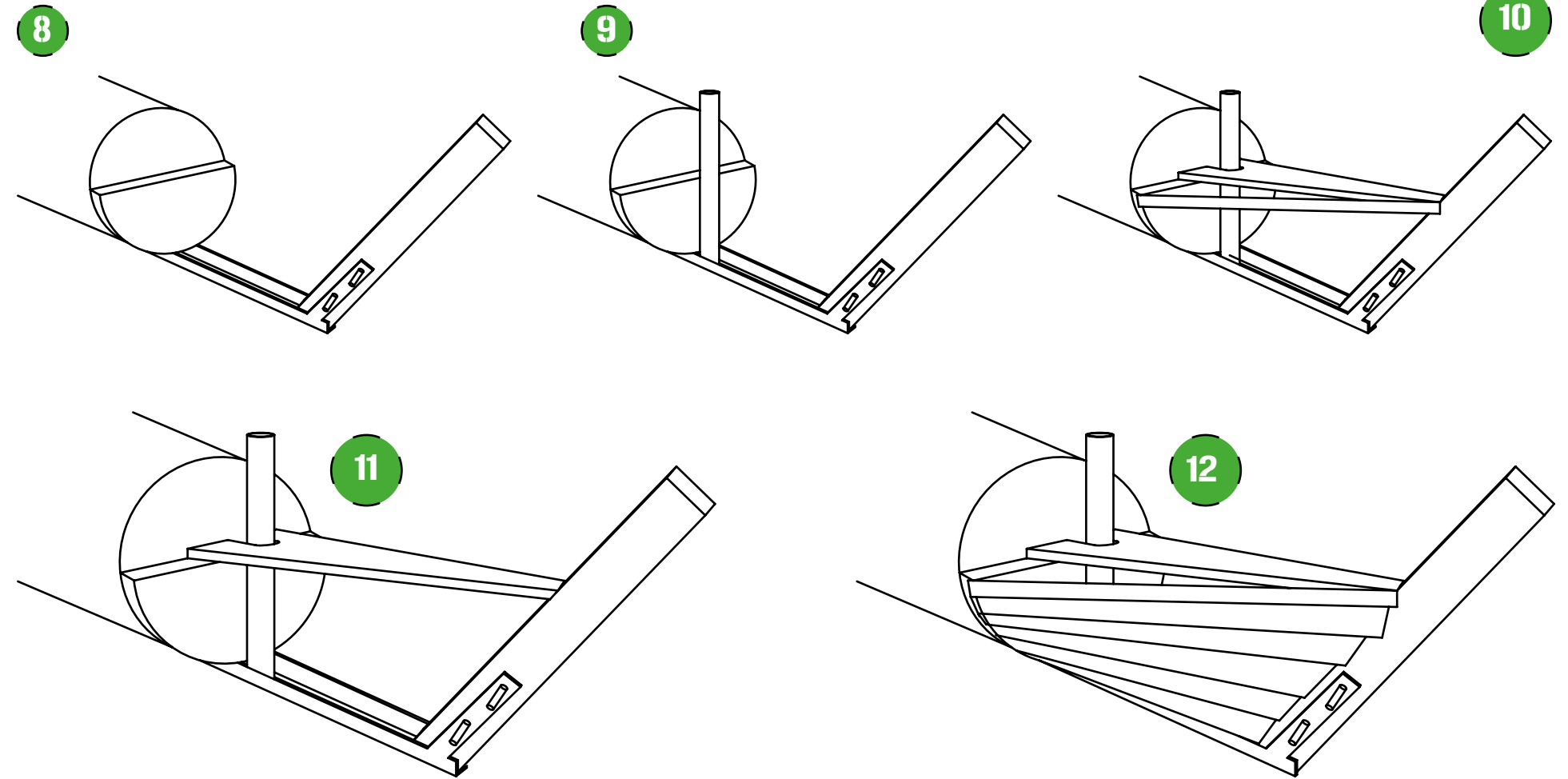
6



Attachment of the rudder



Building the prow



Developers

Ismael Essome

Twitter: madiba&nature

Instagram: madiba_nature

Email: essome.ismael@madibanature.com

Web: www.madibanature.com / www.facebook.com/madiba20161

Carlos Corpa

Email: carloscorpa@yahoo.es

Collaborators

Lucas Alcaide

Email: l.alcaide.dw@gmail.com

Instagram: @estoesgrupo

Juliana Fagua

Email: j.fagua140@uniandes.edu.co

Design

Juliana Fagua

Email: j.fagua140@uniandes.edu.co

Contact

ecoboat2.0@gmail.com